

Proseptic® Compact Sewage Treatment



Proseptic® compact wwtp units designed for 25-10.000 PE capacities with Extended SBR (Subsequencely Batch Process) process that is most useful system for compact applications worldwide. Proseptic is a simple and quick solution for residential places that needs domestic wastewater treatment. **Proseptic®** units can be used easily in unsteady flowrates as % 90 capacity changing ratios.

Proseptic® Units provides easy installation, comissioning and easy operation with high efficiency and easy to maintain.

Proseptic® Units are fully compact units with low space requirements, Proseptic provides all necessary biological treatment stages (aeration, sedimentation, disinfection, sludge storage) in one storage tank, and periodically sludge removal will be needed once only 3-4 months. Compact structure contains machine room for blower, control board, dosing pump, chlorine storage room inside.



Advantages

- Recycling for irrigation
- Silence and Odorless
- High Efficiency In Different Flow Rates
- Low Power Consumption
- Resistant to Different Temperature
- Less Space Requirement
- Low Investment And Maintain Costs
- Full Automation With PLC
- Short Delivery Time
- Easy Installation & Commissioning



Proseptic® Effluent Pollutant Rates

BOD ₅	< 50 mg/l
COD	< 180 mg/l
TSS	< 70
pH	6-9



Arsimak®

Proseptic® Compact Sewage Treatment



Summer Houses



Construction Camps



Millitary Bases



Social Housing Projects



Mines and Drilling Camps



Industrial Facilities



Villages - Towns



Worker - Labor Camps

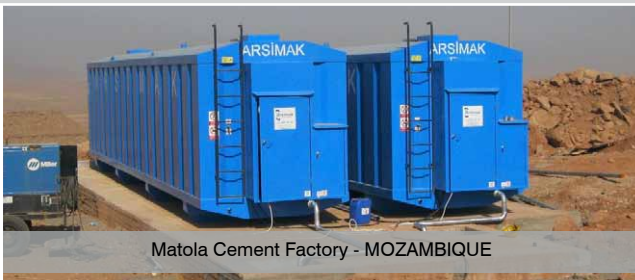


COMPONENTS





More than 500 Proseptic® Units are working in 20 countries over the world, also we have available shapes for oversea transport.



Matola Cement Factory - MOZAMBIQUE



New Zakho Project / IRAQ



Suakevi HPP Project - GEORGIA



Grand Karavia Hotel - DR. CONGO



Hyundai Eng. TORE Project - TURKMENISTAN



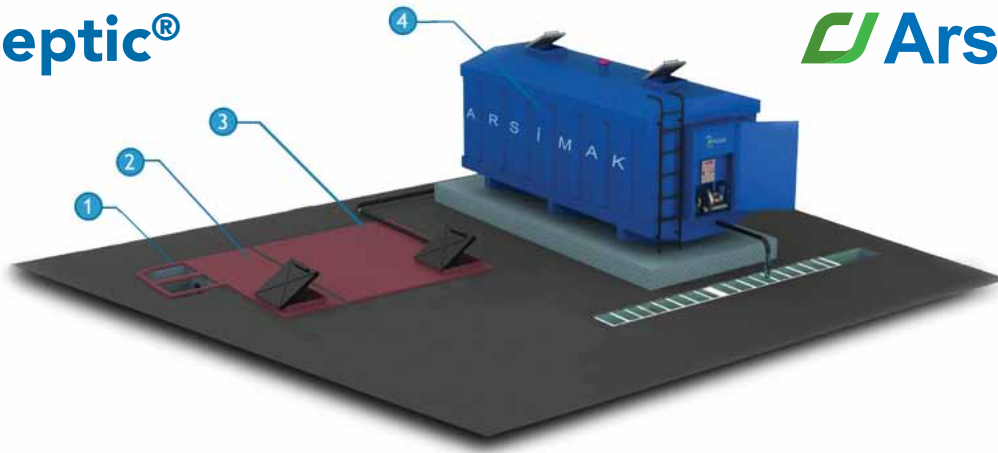
Müşfikabad Social Housing Projects - AZERBAIJAN



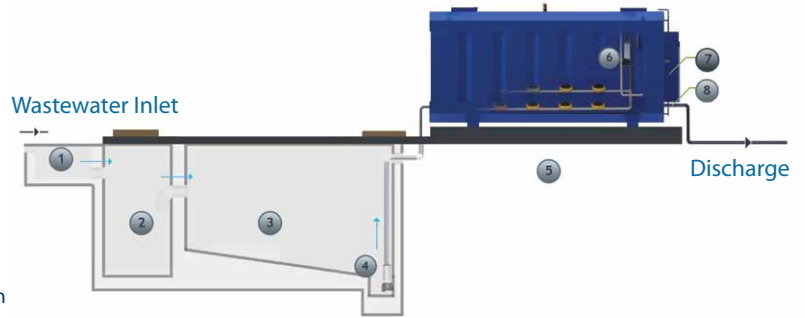
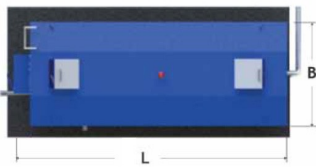
Devoll HPP Project - ALBANIA



Malabo Sipopo Project - EQUATORIAL GUINEA



- 1** Screen Channel
- 2** Presettling Tank
- 3** Equalization Tank
- 4** Proseptic® Reactor



- 1- Screen Channel
- 2- Presettling Tank
- 3- Equalization tank
- 4- Feeding Pump

- 5- Proseptic® Reactor
- 6- Discharge Pump
- 7- Machine & Control Cabin
- 8- Disinfection System

Model	Equivalent Population	Flow Capacity m ³ / Day	Proseptic®			Concrete Parts					
						Presettling Tank			Equalization Tank		
			B cm	L cm	H cm	B cm	L cm	H cm	B cm	L cm	H cm
Proseptic® 25	25	5	110	260	180	200	80	300	200	150	300
Proseptic® 50	50	10	160	300	260	200	80	300	200	150	300
Proseptic® 100	100	20	200	400	260	250	80	300	250	200	300
Proseptic® 150	150	30	200	530	260	300	100	300	300	250	300
Proseptic® 200	200	40	220	630	260	300	100	300	300	320	300
Proseptic® 250	250	50	220	680	260	300	100	300	300	320	300
Proseptic® 300	300	60	235	700	280	350	100	300	350	300	300
Proseptic® 350	350	70	235	750	280	350	100	300	350	350	300
Proseptic® 400	400	80	235	850	280	400	100	300	400	400	300
Proseptic® 500	500	100	235	1000	280	400	100	300	400	500	300
Proseptic® 600	600	120	235	1185	280	450	100	300	450	500	300
Proseptic® 750	750	150	235	1250	280	600	100	300	600	450	300
Proseptic® 1000	1000	200	235	1350	280	600	100	300	600	600	300

- * Screen channel dimensions for intake structure will be (B:50x L:100x H:70 cm)
- * Existing septic tanks can be used instead of equalization and presettling concrete tanks.
- * Arsimak recommends concrete platform for compact systems to set on.
- * According to customer requirements treated water tank can be added to Proseptic units.
- * For special projects that wastewater flow not known and projects such as hospital and touristic projects please contact with our sales engineer for Proseptic® unit selection.
- * Dimension on this table above can be changed by Arsimak without any notification.

